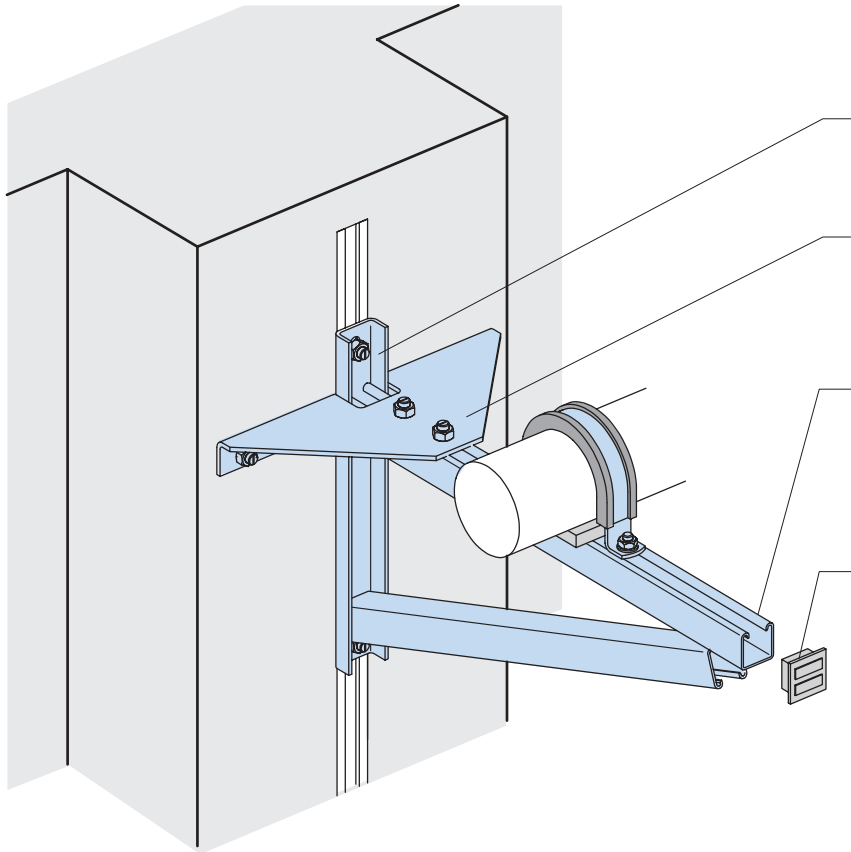


HALFEN FRAMING SYSTEMS

Cantilevers

Application



Fixing with dowel or with T-head bolts to cast-in HALFEN Channel

For loads in longitudinal pipe direction combinations of HALFEN Cantilevers with Support angles Type KON - Z1 are possible.

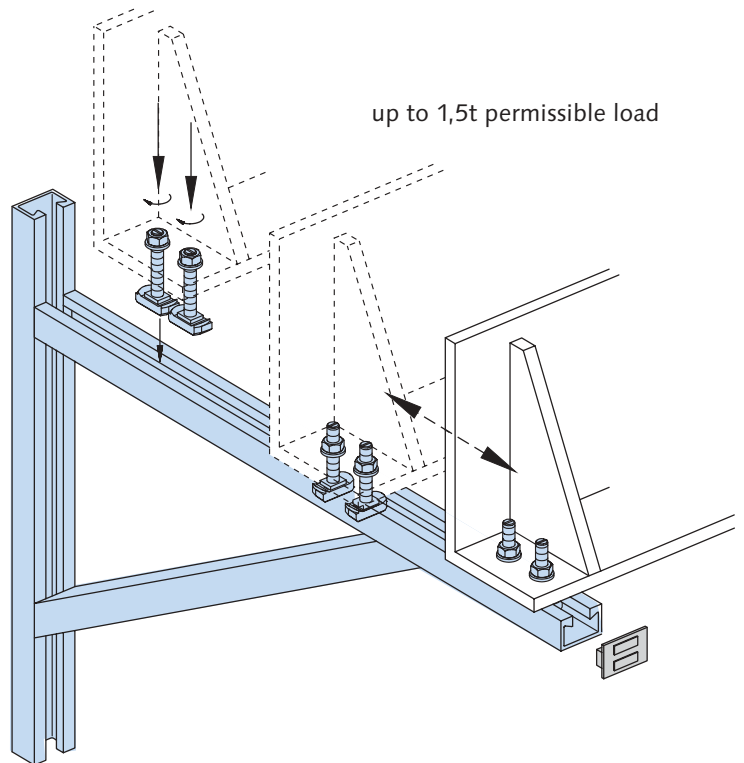
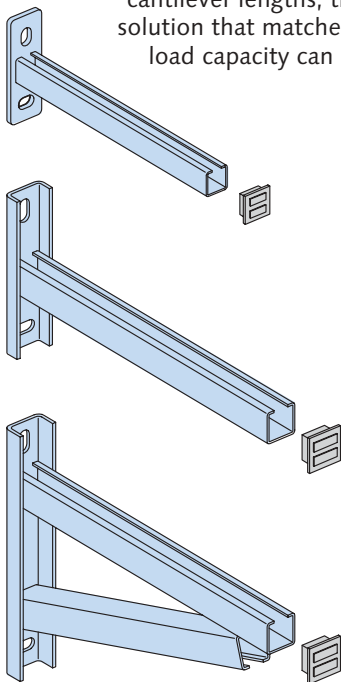
Cantilever of standard HALFEN Channel, to be combined with T-head bolts, HALFEN Fittings and System accessories.

Delivery of all HALFEN Cantilevers with Channel end cap (except KON 41/D).

Depending on ordered number of items, special constructions of all Cantilevers are available.

Type selection

Due to continuous covering of the different cantilever lengths, the most cost-efficient solution that matches exactly the required load capacity can be achieved at equal space requirements.

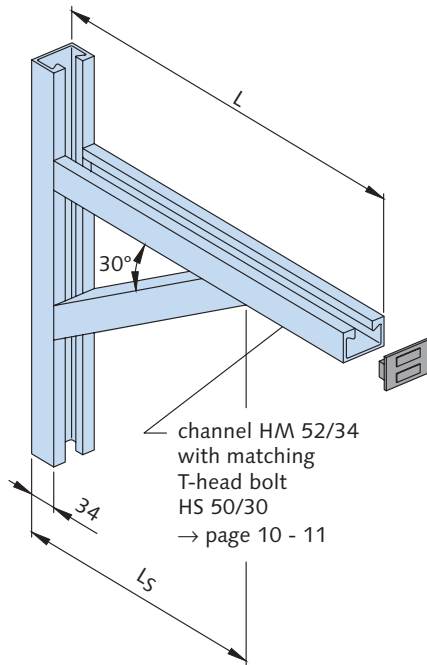


up to 1,5t permissible load

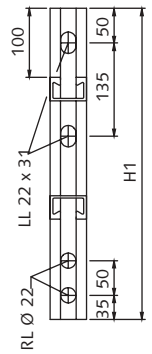
HALFEN FRAMING SYSTEMS

Cantilevers

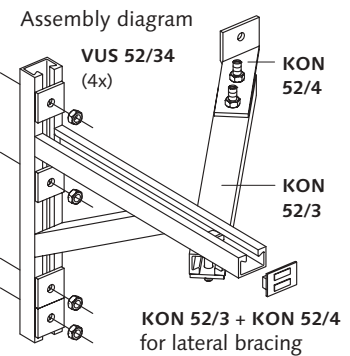
KON 52/2 Cantilevers



fv		A4		load capacity			dim.	
h.d. galvanised		Stainl. steel W 1.4571/ 1.4401 (A4)					H1	Ls
length [mm]	Stock no.	length [mm]	Stock no.	F1 [kN]	F1 [kN]	F2 [kN]	[mm]	[mm]
500	00001	500	00008	9,00	15,00	7,50	450	330
600	00002	600	00009	8,00	15,00	7,50	475	380
700	00003	700	00010	7,00	15,00	6,50	500	430
800	00004	800	00011	6,00	15,00	6,00	550	480
900	00005	900	00012	5,50	15,00	5,50	600	530
1000	00006	1000	00013	5,00	15,00	5,00	650	630
1100	00007	1100	00014	4,50	14,00	4,50	700	730



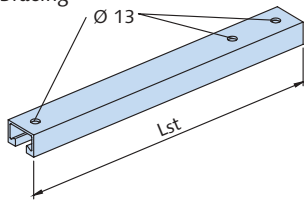
Connection forces		length [mm]	Fz [kN]	FQ [kN]
		500	17,82	15,00
		600	16,89	15,00
		700	16,83	15,00
		800	15,86	15,00
		900	15,47	15,00
		1000	15,00	15,00
		1100	14,72	14,00



Order example Designation: **KON 52/2 - fv - 800 [mm]**
or Stock no.: **0310.080-00004**

Fittings for Cantilevers 52/2

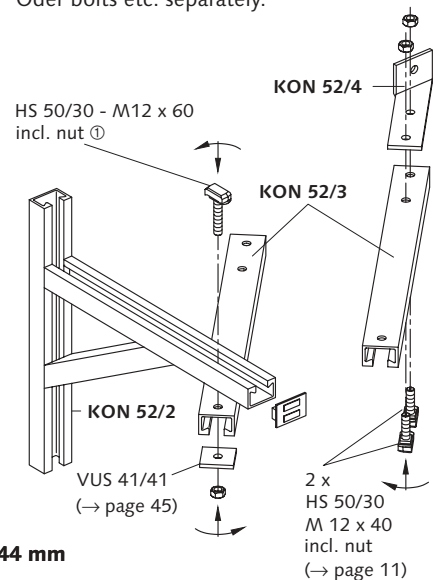
KON 52/3 Bracing



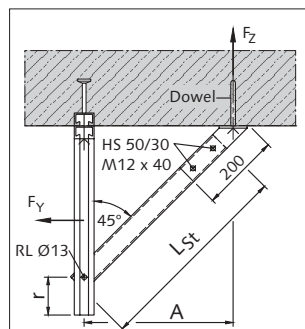
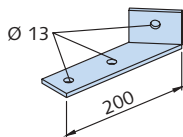
fv		A4	
h.d. galvanised		Stainl. steel W 1.4571/ 1.4401 (A4)	
length L _{ST} [mm]	Stock no.	length L _{ST} [mm]	Stock no.
532	00001	532	00012
602	00002	602	00013
673	00003	673	00014
744	00004	744	00015
815	00005	815	00016
961	00006	961	00017
1102	00007	1102	00018
● 0310.100-		○ 0310.100-	
KON 52/4	00002		00001

fits to cantilevers 52/2		dim.	
length L [mm]	r [mm]	A [mm]	
500	100	400	
600	150	450	
700	200	500	
800	250	550	
900	300	600	
1000	300	700	
1100	300	800	

Assembly diagram
Order bolts etc. separately.



KON 52/4 Fixing angle



Order example:
bracing:
KON 52/3 - fv - 744 mm
or Stock no.
0310.090-00004
Fitting angle:
KON 52/4 - fv
or Stock no.
0310.100-00002

● = Standard
○ = to order

① Stainless steel cantilevers are fixed with locking plate GWP 50/30 - M 12 and T-head bolt HSK - M12 x 60, DIN 933.

Note: The max. load bearable of lateral brace depends on permissible load Fz of dowel.

Framing Channels, Bolts 1

Accessories 2

Design Properties 3

Support Structures 4

Cantilevers 5

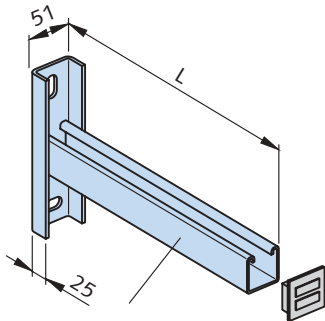
Pipe Clamps, Pipe Supports 6

Notes, Work aid 7

HALFEN FRAMING SYSTEMS

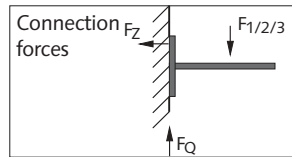
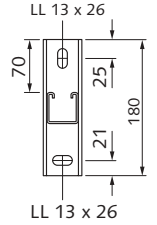
Cantilevers

KON 41/1 Cantilevers



Channel HM 41/41 with matching T-head bolts HS 41/41 (→ p. 47) and HZS 41/41 (toothed, → p. 31).

fv		A4		load capacity			
h.d. galvanised	Stainl. steel W 1.4571/1.4401 (A4)	length	Stock no.	length	Stock no.		
[mm]	0310.010-	[mm]	0310.010-				
175	00001	175	00004				
325	00002	325	00005	F ₁ [kN]	F ₁ [kN]	F ₂ [kN]	F ₃ [kN]
475	00003	475	00006	5,35	2,65	2,65	1,75
				2,65	1,30	1,30	0,85
				1,75	0,85	0,85	0,55

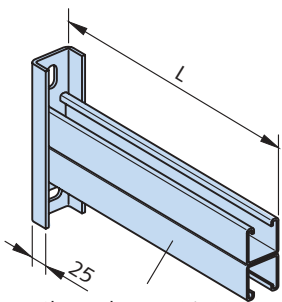


length [mm]	F _z [kN]	F _Q [kN]
175	3,23	5,35
325	2,97	2,65
475	2,87	1,75

KON - Z1

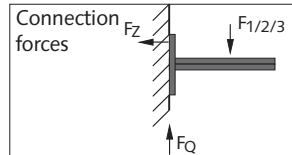
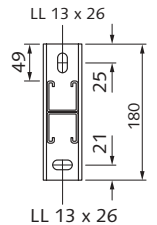


KON 41/D Cantilevers



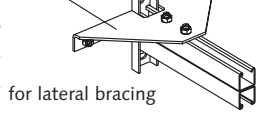
Channel HM 41/41 with matching T-head bolts HS 41/41 and HZS 41/41 (→ p. 47 and 31).

fv		A4		load capacity			
h.d. galvanised	Stainl. steel W 1.4571/1.4401 (A4)	length	Stock no.	length	Stock no.		
[mm]	0310.030-	[mm]	0310.030-				
325	00001	325	00004				
475	00002	475	00005	F ₁ [kN]	F ₁ [kN]	F ₂ [kN]	F ₃ [kN]
625	00003	625	00006	5,60	2,80	2,80	1,85
				3,70	1,85	1,85	1,20
				2,80	1,40	1,40	0,90

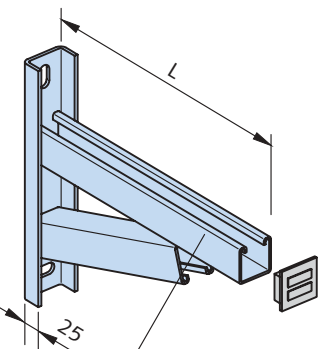


length [mm]	F _z [kN]	F _Q [kN]
325	6,28	5,60
475	6,06	3,70
625	6,03	2,80

KON - Z1

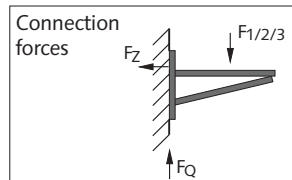
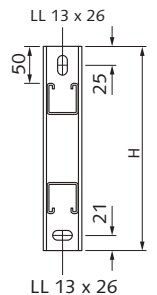


KON 41/2 Cantilevers



Channel HM 41/41 with matching T-head bolts HS 41/41 and HZS 41/41 (→ p. 47 and 31).

fv		A4		load capacity			
h.d. galvanised	Stainl. steel W 1.4571/1.4401 (A4)	length	Stock no.	length	Stock no.		
[mm]	0310.020-	[mm]	0310.020-				
325	00001	325	00005				
475	00002	475	00006	F ₁ [kN]	F ₁ [kN]	F ₂ [kN]	F ₃ [kN]
625	00003	625	00007	7,50	4,90	4,80	3,40
775	00004	775	00008	5,00	4,75	3,70	2,45
				3,50	3,50	2,75	1,85
				2,65	2,65	2,05	1,40

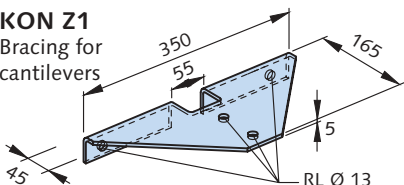


length [mm]	F _z [kN]	F _Q [kN]	Dim. H [mm]
325	9,30	10,20	270
475	10,16	7,40	330
625	8,23	5,55	380
775	6,63	4,20	430

KON - Z1



KON Z1 Bracing for cantilevers



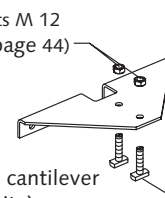
fv		A4	
h.d. galvanised	Stainl. steel	length	Stock no.
[mm]	0310.110-	[mm]	0310.110-
325	00002	325	00001

Assembly diagram

(Order T-head bolts, nuts and cantilevers separately)

Possible assembly underneath cantilever (2 holes need to be made on site)

2 nuts M 12 (→ page 44)



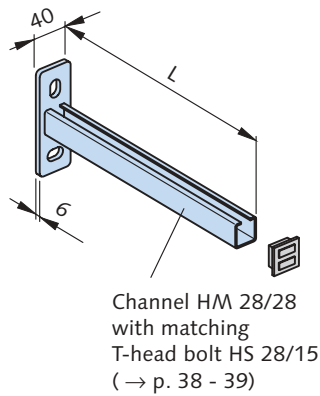
● = Standard
○ = to order

2 T-head bolts HS 41/41 M 12 x 35 (→ page 47)

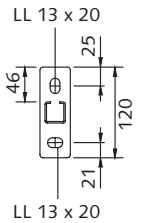
HALFEN FRAMING SYSTEMS

Cantilevers

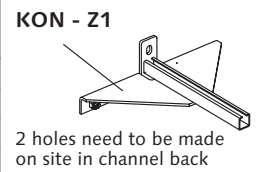
KON 28/1 Cantilevers



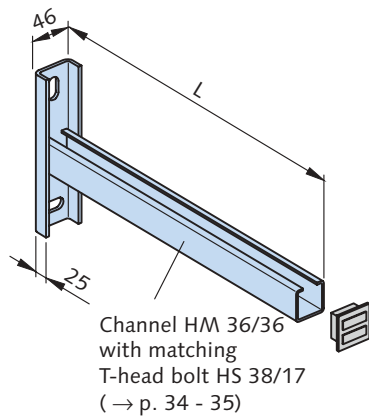
fv	A4	load capacity			
h.d. galvanised	Stainl. steel W 1.4571/1.4401 (A4)				
length [mm]	Stock no. [mm]	F1 [kN]	F1 [kN]	F2 [kN]	F3 [kN]
100	00001	2,70	1,35	1,35	0,90
200	00002	1,35	0,68	0,68	0,45
300	00003	0,90	0,45	0,45	0,30
400	00004	0,70	0,35	0,35	0,20



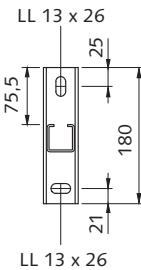
Connection forces	length [mm]	Fz [kN]	FQ [kN]
	100	1,82	2,70
	200	1,82	1,36
	300	1,82	0,90
	400	1,89	0,70



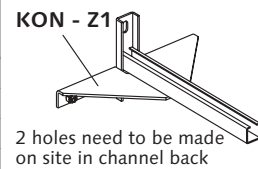
KON 36/1 Cantilevers



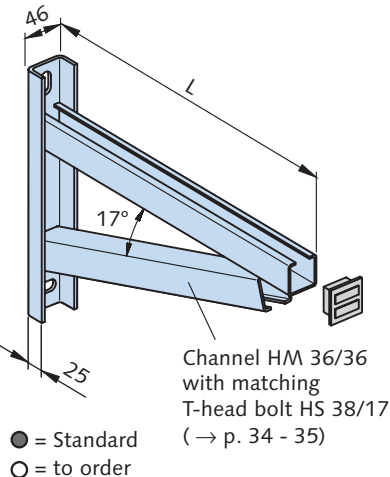
fv	A4	load capacity			
h.d. galvanised	Stainl. steel W 1.4571/1.4401 (A4)				
length [mm]	Stock no. [mm]	F1 [kN]	F1 [kN]	F2 [kN]	F3 [kN]
300	00001	2,00	1,00	1,00	0,70
400	00002	1,50	0,75	0,75	0,50
500	00003	1,20	0,60	0,60	0,40
600	00004	1,00	0,50	0,50	0,33



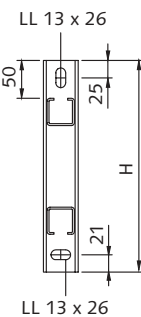
Connection forces	length [mm]	Fz [kN]	FQ [kN]
	300	2,07	2,10
	400	2,07	1,50
	500	2,07	1,20
	600	2,07	1,00



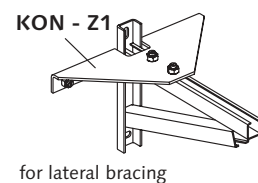
KON 36/2 Cantilevers



fv	A4	load capacity			
h.d. galvanised	Stainl. steel W 1.4571/1.4401 (A4)				
length [mm]	Stock no. [mm]	F1 [kN]	F1 [kN]	F2 [kN]	F3 [kN]
300	00001	5,00	4,20	4,00	2,65
400	00002	4,15	4,10	3,15	2,10
500	00003	3,15	3,65	2,50	1,65
600	00004	2,55	3,35	2,00	1,30
700	00005	2,10	3,15	1,65	1,10



Connection forces	length [mm]	Fz [kN]	FQ [kN]	Dim. H [mm]
	300	7,63	8,00	255
	400	8,44	6,30	280
	500	8,16	5,00	310
	600	7,95	4,00	340
	700	7,82	3,30	370



Order example: KON 36/2 - fv - L = 500 mm

or Stock no. 0310.070-00003

Subject to alterations