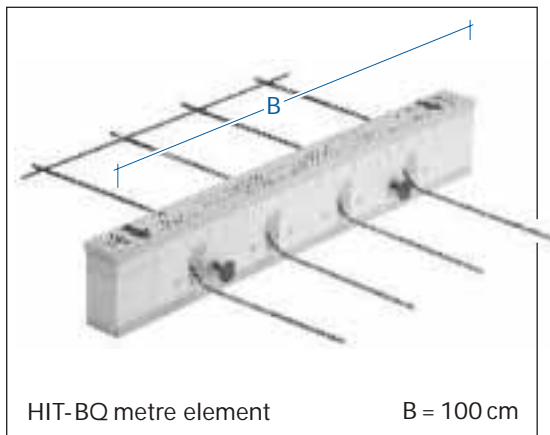
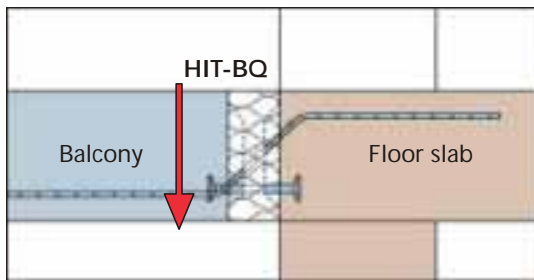


HALFEN-ISO-ELEMENT TYPE HIT-BQ

Applications and Load Capacities

Application:

Propped cantilever balcony system for continuous connection taking shear loads in one direction only.



Application examples:

Fig. 1:

Propped cantilever balcony system. Balcony connection taking shear in one direction only.

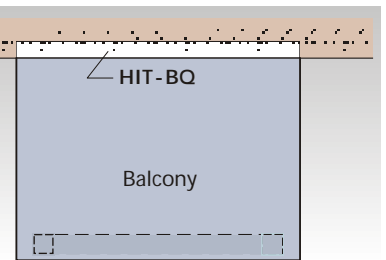
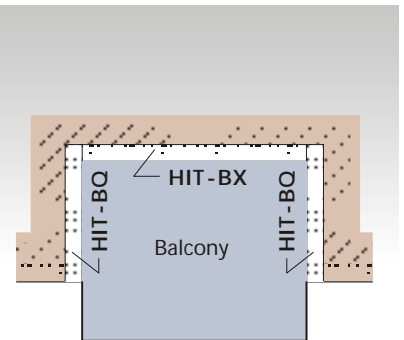


Fig. 2:

Internal balcony/ Loggia, 3-sides supported and partial cantilever



Selection chart for concrete grade \geq B 25

Metre elements

Load capacity	Slab thickness [mm]	Type HIT-BQ-				
		6 / 4	6 / 6	8 / 6	10 / 6	12 / 6
allowable shear all.q [kN/m]	160	19.2	34.1	51.2	-	-
	170	19.2	34.1	51.2	-	-
	180	19.2	34.1	51.2	80.0	106.6
	190	19.2	34.1	51.2	80.0	106.6
	200	19.2	34.1	51.2	80.0	106.6
	210	19.2	34.1	51.2	80.0	106.6
	220	19.2	34.1	51.2	80.0	106.6
	230	19.2	34.1	51.2	80.0	106.6
	240	19.2	34.1	51.2	80.0	106.6
	250	19.2	34.1	51.2	80.0	106.6

All capacities given as characteristic safe working capacities

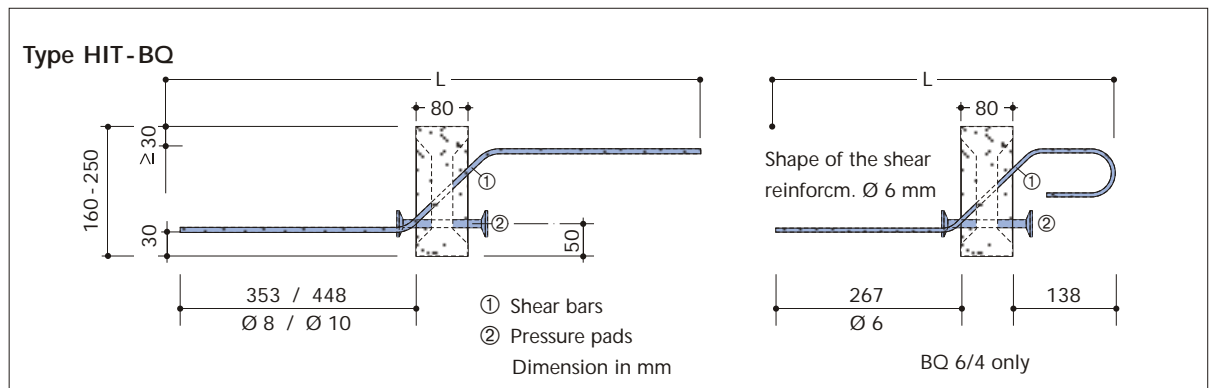
HALFEN-ISO-ELEMENT TYPE HIT-BQ

Product Details and Dimensions

Design details

Item:	Load range	Type HIT-BQ-				
		6/4	6/6	8/6	10/6	12/6
	Elem. length [m]	1.00	1.00	1.00	1.00	1.00
Shear reinforcement	number	4	4	6	6	8
	Ø/length L [mm]	Ø 6 / 485	Ø 8 / 786	Ø 8 / 786	Ø 10 / 976	Ø 10 / 976
Pressure pads	number	2	2	2	3	4
	Ø [mm]	Ø 12	Ø 12	Ø 12	Ø 12	Ø 12
Slab thickness	d [mm]	160 - 250	160 - 250	160 - 250	180 - 250	180 - 250

Dimensions



Order example

Code: **HIT - BQ - 12/6 - 20 - F90**

Type _____

Load range (see chart above) _____

Slab thickness [cm] _____

Fire resistant ⑤ _____

Options

• Fire resistant	
normal	
F90 (up to 90 minutes)	F90

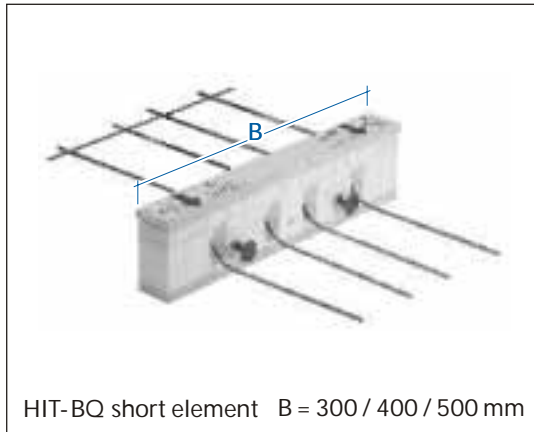
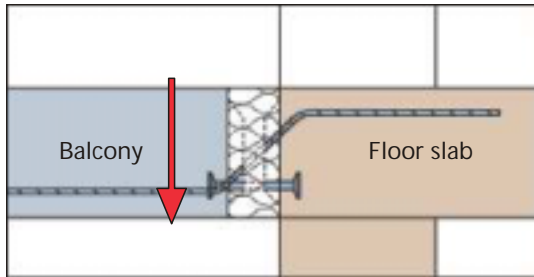
⑤ If you order the "normal" type you don't have to give this code.

HALFEN-ISO-ELEMENT TYPE HIT-BQ SHORT ELEMENT

Applications and Load Capacities

Application:

Propped cantilever balcony system for intermittent connection taking shear loads in one direction only.



Application examples:

Fig. 1:

Propped cantilever balcony system. Balcony connection taking shear load in one direction only.

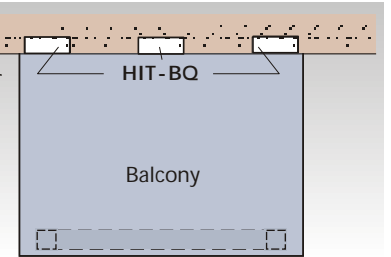
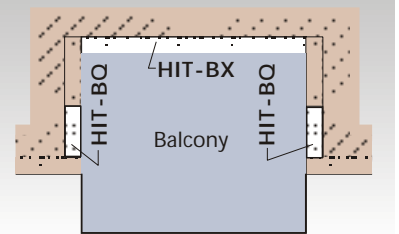


Fig. 2:

Internal balcony/ Loggia, 3-sides supported and partial cantilever



Selection chart for concrete grade \geq B 25

Load capacity	Slab thickness [mm]	Type HIT-BQ- short element									
		6 / 4 K	8 / 2	8 / 3	8 / 4	10 / 2	10 / 3	10 / 4	12 / 2	12 / 3	12 / 4
allowable shear all.q [kN]	160	19.2	17.1	25.6	34.1	-	-	-	-	-	-
	170	19.2	17.1	25.6	34.1	-	-	-	-	-	-
	180	19.2	17.1	25.6	34.1	26.7	40.0	53.3	-	-	-
	190	19.2	17.1	25.6	34.1	26.7	40.0	53.3	38.4	57.6	76.8
	200	19.2	17.1	25.6	34.1	26.7	40.0	53.3	38.4	57.6	76.8
	210	19.2	17.1	25.6	34.1	26.7	40.0	53.3	38.4	57.6	76.8
	220	19.2	17.1	25.6	34.1	26.7	40.0	53.3	38.4	57.6	76.8
	230	19.2	17.1	25.6	34.1	26.7	40.0	53.3	38.4	57.6	76.8
	240	19.2	17.1	25.6	34.1	26.7	40.0	53.3	38.4	57.6	76.8
	250	19.2	17.1	25.6	34.1	26.7	40.0	53.3	38.4	57.6	76.8

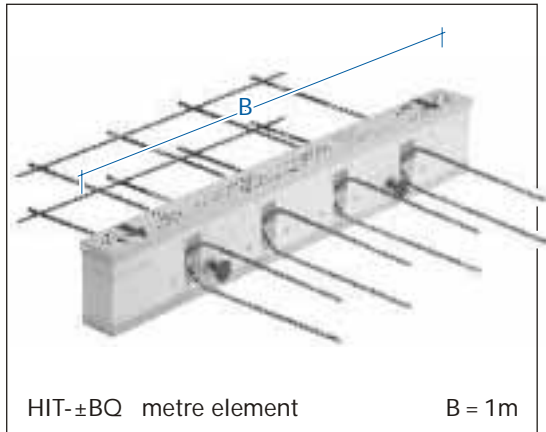
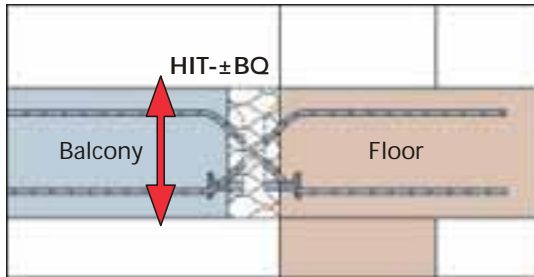
All capacities given as characteristic safe working capacities

HALFEN - ISO - ELEMENT TYPE HIT - ±BQ

Applications and Load Capacities

Application:

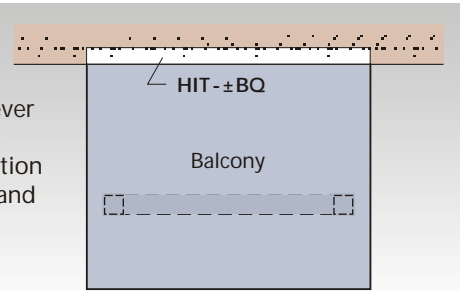
Propped cantilever balcony system for reinforced concrete taking shear in both directions (positive and negative).



Application example:

Fig. 1:

Propped cantilever balcony system. Balcony connection taking positive and negative shear.



Selection chart for concrete grade \geq B 25

Load capacity	Slab thickness [mm]	Type HIT-±BQ-		
		6 / 4	6 / 6	6 / 10
allowable shear all.q [kN/m]	160	± 19.2	± 34.1	± 51.2
	170			
	180			
	190			
	200			
	210			
	220			
	230			
	240			
	250			

All capacities given as characteristic safe working capacities

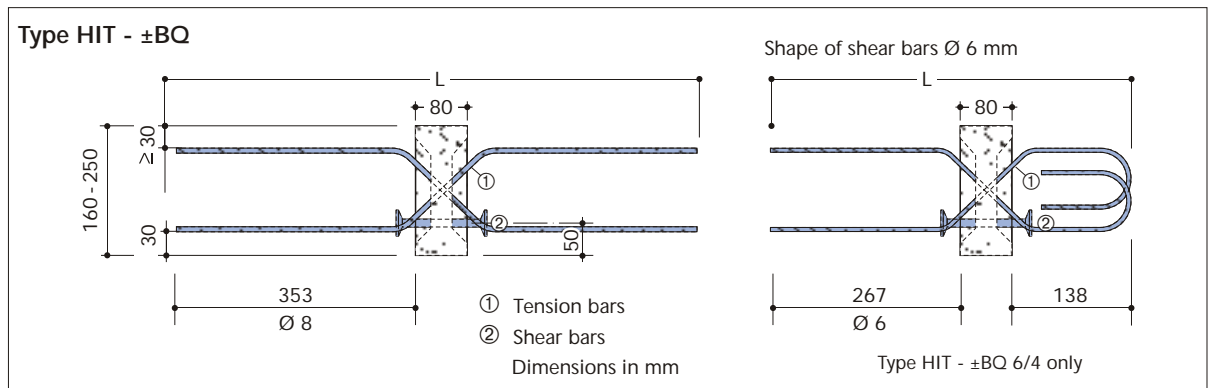
HALFEN-ISO-ELEMENT TYPE HIT - ±BQ

Product Details and Dimensions

Design details

Item:	Load range	Type HIT-±BQ-		
		6/4	6/6	6/10
	Elem. length [m]	1.00	1.00	1.00
Shear bars	number	2 × 4	2 × 4	2 × 6
	Ø/length L [mm]	Ø 6 / 485	Ø 8 / 786	Ø 8 / 786
Pressure pads	number	2	2	2
	Ø [mm]	Ø 12	Ø 12	Ø 12
for slab thickness	d [mm]	160 - 250	160 - 250	160 - 250

Dimensions



Order example

Code: **HIT - ± BQ - 6/10 - 20 - F90**

Type _____

Load range (see chart above) _____

Slab thickness [cm] _____

Fire resistant ⑤ _____

Options

• Fire resistant

normal

F90 (up to 90 minutes) **F90**

⑤ If you order the "normal" type you don't have to give this code.